



**Creating Cities
Where Urban Meets Nature**

Our Innovation Your Solution

Modas™ Alu-Frame is developed for use with Modas Base Jack™ height-adjustable pedestals to create a substructure for raised paving systems. It is designed to complement porcelain pavers and other types of flooring surfaces, allowing for an increased level of versatility and stability.



Engineered in Australia

Modas Alu-Frame™

Modas Alu-Frame™ is an aluminium joist system developed to be used in conjunction with Modas Base Jack™ pedestals to construct a more stable and versatile substructure for raised decking. It improves heat and sound insulation, facilitates rapid surface drainage and creates an easily accessible chamber to conceal mechanical and electrical services.



About Modas Alu-Frame™

Modas Alu-Frame™ comes in size 35 mm high. It is complimented by a comprehensive list of accessories to accommodate installations of various requirements.

Modas Alu-Frame™ is connected to Modas Base-Jack® pedestals using an adaptor and once locked in place, the substructure prevents pedestals from unintended movement during installation, maintenance and everyday traffic atop the raised pavers.

Modas Alu-Frame™ comes with a corrugated flat top to allow simple and accurate fastening of any unique deck board clip for its specific deck board profile.

1 Modas Alu-Frame™

Modas Alu-Frame™ is designed for seamless compatibility with most conventional fixings and decking board profiles available in the market.

2 Modas Base Jack™ Joist Adaptor

Joist Adaptor is used to connect aluminium joists securely to the pedestal.

3 Modas Base Jack™

Modas Base Jack® height-adjustable pedestals can be used with the Modas Alu-Frame®, offering a high strength, durable, and reliable substructure for decking installations.

Modas Alu-Frame™ Accessories

Modas Right Angle Joiner



Perpendicular Joist Joiner allows one end of a joist to connect perpendicularly along the length of another joist.



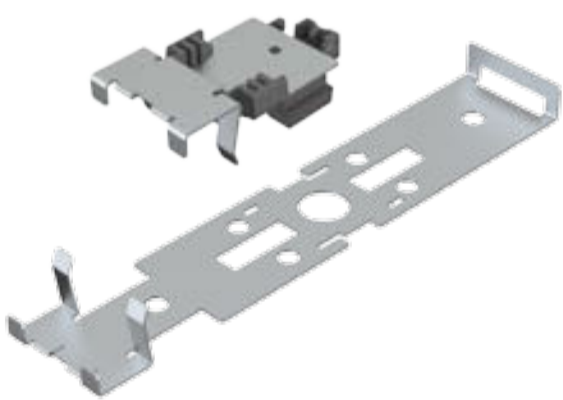
Modas End-to-End Joiner



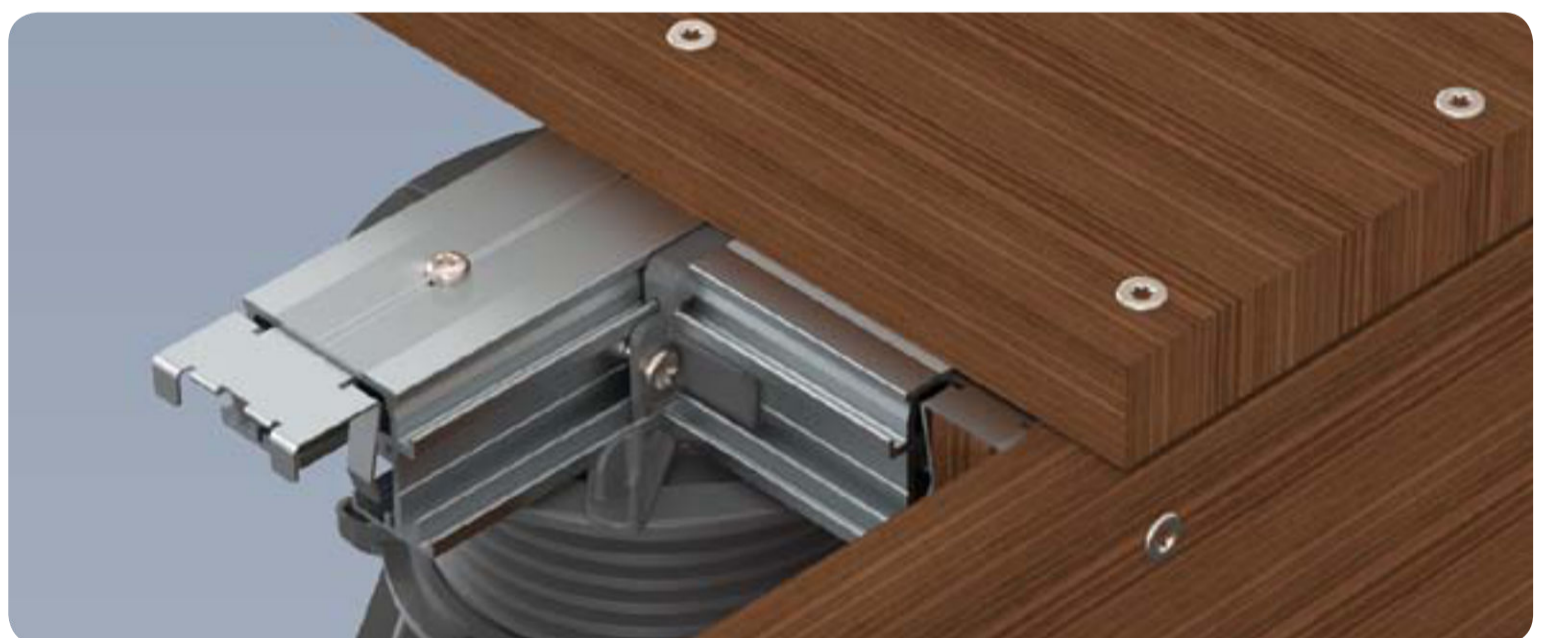
End-to-End Joiner is a concealed joiner that connects 2 joists in a straight line.



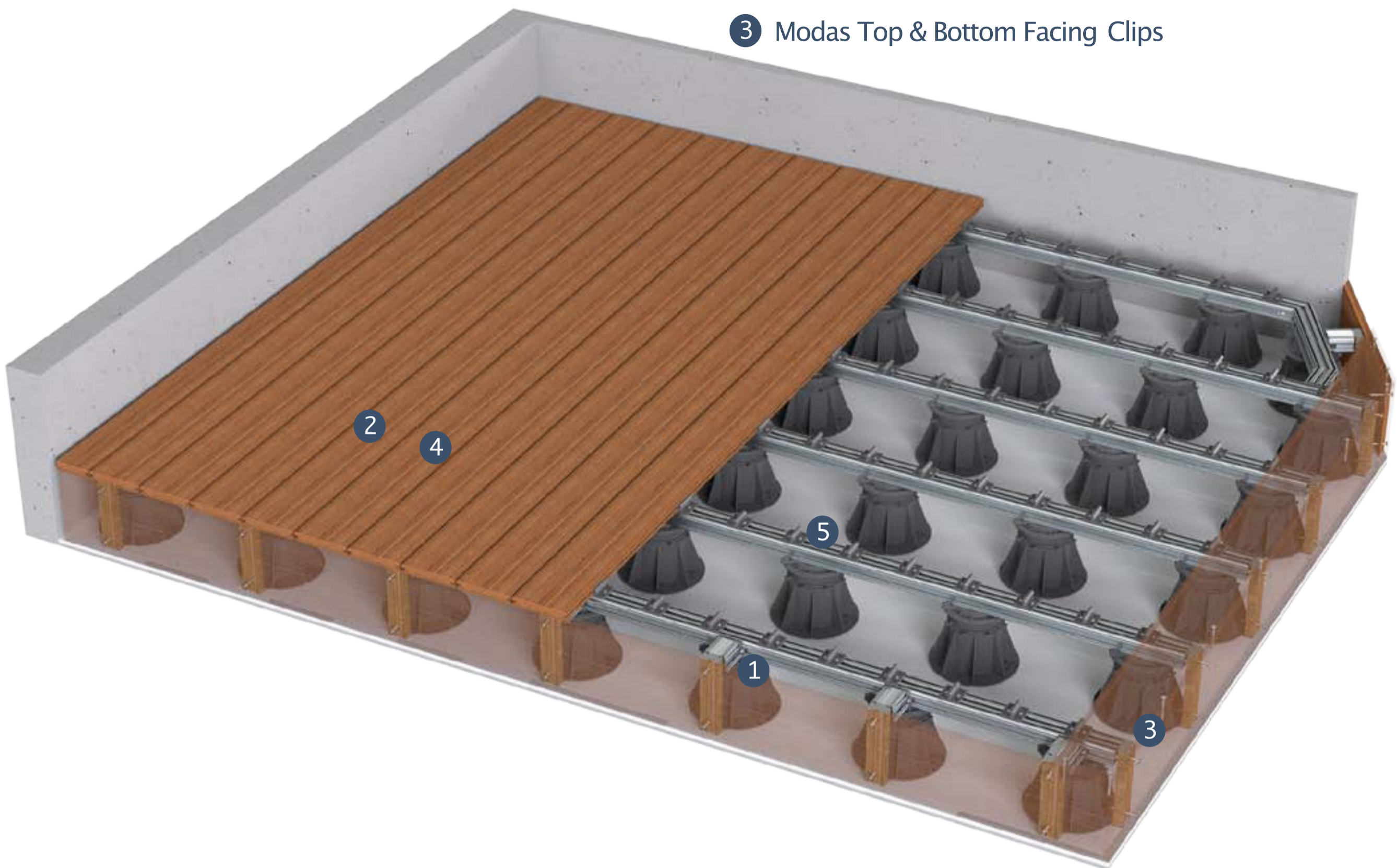
Modas Top & Bottom Facing Board Clips



Vertical Paver Clips allow pavers to be installed upright to create a closed edge installation.



- ① Modas Right Angle Joiner
- ② Modas End-to-End Joiner
- ③ Modas Top & Bottom Facing Clips
- ④ Modwood Decking
- ⑤ Kleva Klip



Technical Specifications

Modas Alu-Frame

Material	AA6063 T5
Linear thermal expansion coefficient	$2.34 \times 10^{-5} \text{ K}^{-1}$
Joist thickness (mm)	35
Supply length (m)	2.4
Design span distance for joist supports (mm) (live load ¹ : 3.0 kN/m ²)	900
Design span distance for joist supports (mm) (live load ² : 5.0 kN/m ²)	600
Biological / Chemical resistance	Unaffected by moulds and algae. Resistant to corrosion